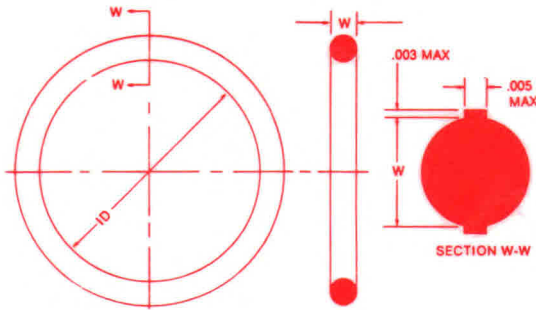


American Seal, Inc.



AMERICAN SEAL, INC. supplies the complete range of standard AS568A sizes in a wide range of elastomeric O-ring materials. The following sizes are grouped by cross-section and listed numerically by inside diameter. For actual tolerances on specific sizes and materials please contact us.

1/16" Cross-Section (w), actual .070"

No.	I.D."	Actual	O.D."	No.	I.D."	Actual	O.D."	No.	I.D."	Actual	O.D."
-001*	1/32	0.029	3/32	-018	3/4	0.739	7/8	-035	2-1/4	2.239	2-3/8
-002*	3/64	0.042	9/64	-019	13/16	0.801	15/16	-036	2-3/8	2.364	2-1/2
-003*	1/16	0.056	13/64	-020	7/8	0.864	1	-037	2-1/2	2.489	2-5/8
-004	5/64	0.070	13/64	-021	15/16	0.925	1-1/16	-038	2-5/8	2.614	2-3/4
-005	3/32	0.101	7/32	-022	1	0.989	1-1/8	-039	2-3/4	2.739	2-7/8
-006	1/8	0.114	1/4	-023	1-1/16	1.051	1-3/16	-040	2-7/8	2.864	3
-007	5/32	0.145	9/32	-024	1-1/8	1.114	1-1/4	-041	3	2.989	3-1/8
-008	3/16	0.176	5/16	-025	1-3/16	1.176	1-5/16	-042	3-1/4	3.239	3-3/8
-009	7/32	0.208	11/32	-026	1-1/4	1.239	1-3/8	-043	3-1/2	3.489	3-5/8
-010	1/4	0.239	3/8	-027	1-5/16	1.301	1-7/16	-044	3-3/4	3.739	3-7/8
-011	5/16	0.301	7/16	-028	1-3/8	1.364	1-1/2	-045	4	3.989	4-1/8
-012	3/8	0.364	1/2	-029	1-1/2	1.489	1-5/8	-046	4-1/4	4.239	4-3/8
-013	7/16	0.426	9/16	-030	1-5/8	1.614	1-3/4	-047	4-1/2	4.489	4-5/8
-014	1/2	0.489	5/8	-031	1-3/4	1.739	1-7/8	-048	4-3/4	4.739	4-7/8
-015	9/16	0.551	11/16	-032	1-7/8	1.864	2	-049	5	4.989	5-1/8
-016	5/8	0.614	3/4	-033	2	1.989	2-1/8	-050	5-1/4	5.239	5-3/8
-017	11/16	0.676	13/16	-034	2-1/8	2.114	2-1/4				

* Note - actual cross-section of -001 is 0.040"; -002 is 0.050"; -003 is 0.060"

3/32" Cross-Section (w), actual .103"

No.	I.D."	Actual	O.D."	No.	I.D."	Actual	O.D."	No.	I.D."	Actual	O.D."
-102	1/16	0.049	1/4	-127	1-7/16	1.424	1-5/8	-153	3-1/2	3.487	3-11/16
-103	3/32	0.081	9/32	-128	1-1/2	1.487	1-11/16	-154	3-3/4	3.737	3-15/16
-104	1/8	0.112	5/16	-129	1-9/16	1.549	1-3/4	-155	4	3.987	4-3/16
-105	5/32	0.143	11/32	-130	1-5/8	1.612	1-13/16	-156	4-1/4	4.237	4-7/16
-106	3/16	0.174	3/8	-131	1-11/16	1.674	1-7/8	-157	4-1/2	4.487	4-11/16
-107	7/32	0.206	13/32	-132	1-3/4	1.737	1-15/16	-158	4-3/4	4.737	4-15/16
-108	1/4	0.237	7/16	-133	1-13/16	1.799	2	-159	5	4.987	5-3/16
-109	5/16	0.299	1/2	-134	1-7/8	1.862	2-1/16	-160	5-1/4	5.237	5-7/16
-110	3/8	0.362	9/16	-135	1-15/16	1.925	2-1/8	-161	5-1/2	5.487	5-11/16
-111	7/16	0.424	5/8	-136	2	1.987	2-3/16	-162	5-3/4	5.737	5-15/16
-112	1/2	0.487	11/16	-137	2-1/16	2.050	2-1/4	-163	6	5.987	6-3/16
-113	9/16	0.549	3/4	-138	2-1/8	2.112	2-5/16	-164	6-1/4	6.237	6-7/16
-114	5/8	0.612	13/16	-139	2-3/16	2.175	2-3/8	-165	6-1/2	6.487	6-11/16
-115	11/16	0.674	7/8	-140	2-1/4	2.237	2-7/16	-166	6-3/4	6.737	6-15/16
-116	3/4	0.737	15/16	-141	2-5/16	2.300	2-1/2	-167	7	6.987	7-3/16
-117	13/16	0.799	1	-142	2-3/8	2.362	2-9/16	-168	7-1/4	7.237	7-7/16
-118	7/8	0.862	1-1/16	-143	2-7/16	2.425	2-5/8	-169	7-1/2	7.487	7-11/16
-119	15/16	0.924	1-1/8	-144	2-1/2	2.487	2-11/16	-170	7-3/4	7.737	7-15/16
-120	1	0.987	1-3/16	-145	2-9/16	2.550	2-3/4	-171	8	7.987	8-3/16
-121	1-1/16	1.049	1-1/4	-146	2-5/8	2.612	2-13/16	-172	8-1/4	8.237	8-7/16
-122	1-1/8	1.112	1-5/16	-147	2-11/16	2.675	2-7/8	-173	8-1/2	8.487	8-11/16
-123	1-3/16	1.174	1-3/8	-148	2-3/4	2.737	2-15/16	-174	8-3/4	8.737	8-15/16
-124	1-1/4	1.237	1-7/16	-149	2-13/16	2.800	3	-175	9	8.987	9-3/16
-125	1-5/16	1.299	1-1/2	-150	2-7/8	2.862	3-1/16	-176	9-1/4	9.237	9-7/16
-126	1-3/8	1.362	1-9/16	-151	3	2.987	3-3/16	-177	9-1/2	9.487	9-11/16
				-152	3-1/4	3.237	3-7/16	-178	9-3/4	9.737	9-15/16

